

# Forward Osmosis as a robust pre-treatment for water reuse

Marc Sauchelli Toran

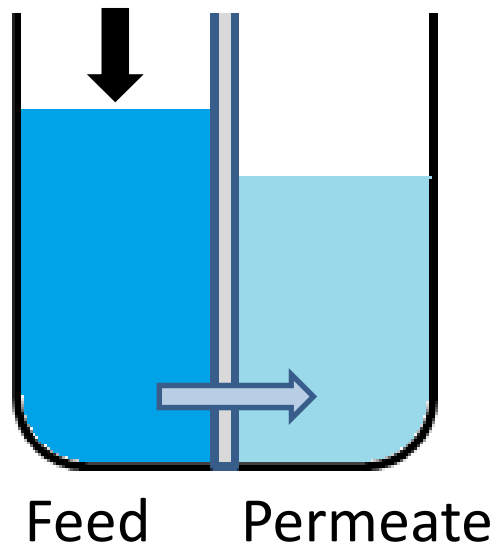


Water Reuse Conference  
13-14 June 2016, Barcelona

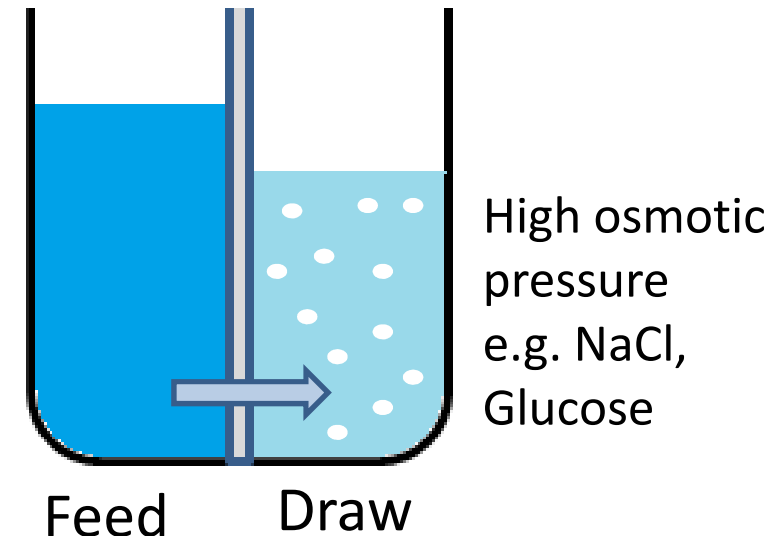
# Introduction

## Reverse Osmosis (RO)

Applied Pressure

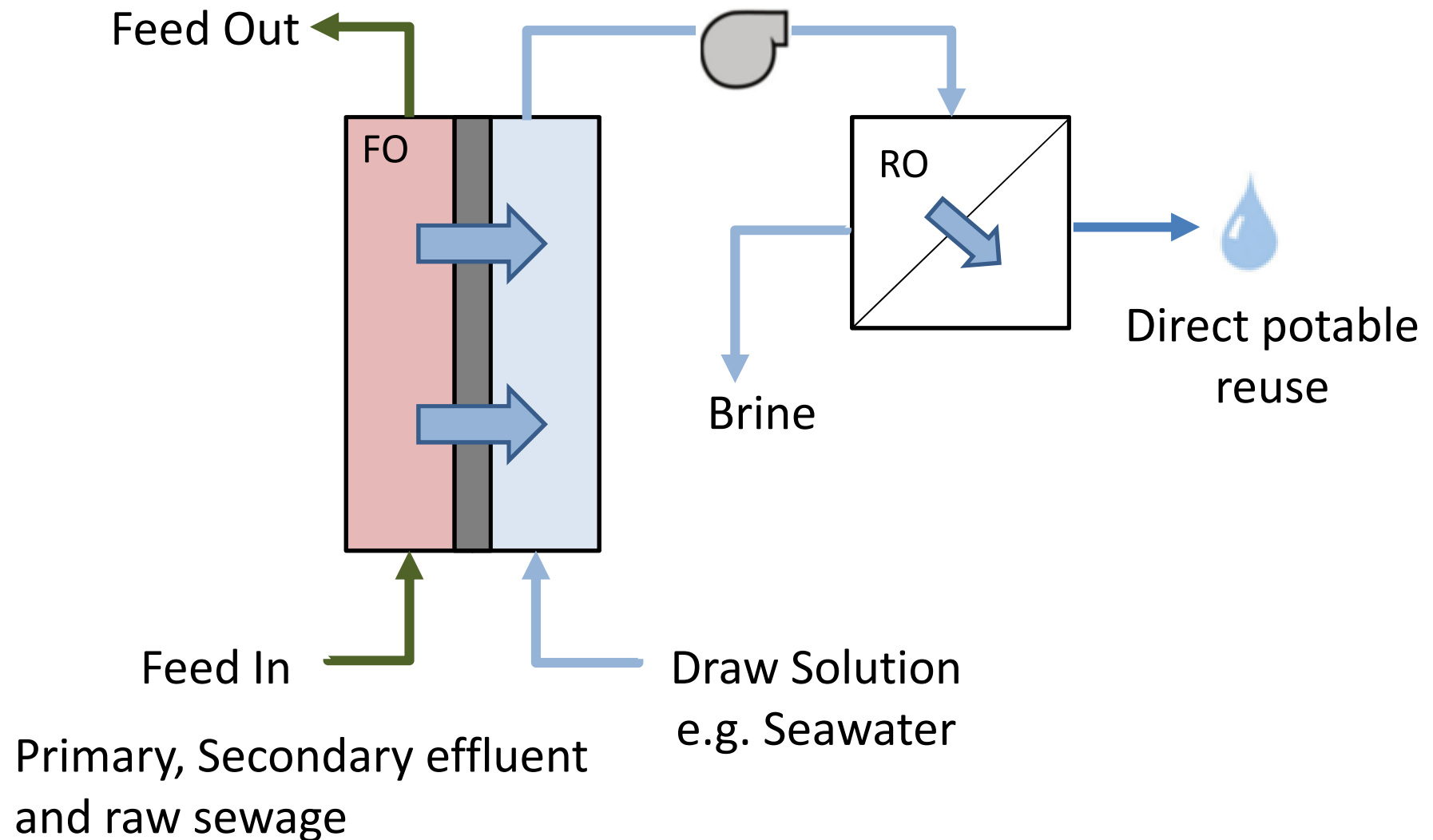


## Forward Osmosis (FO)

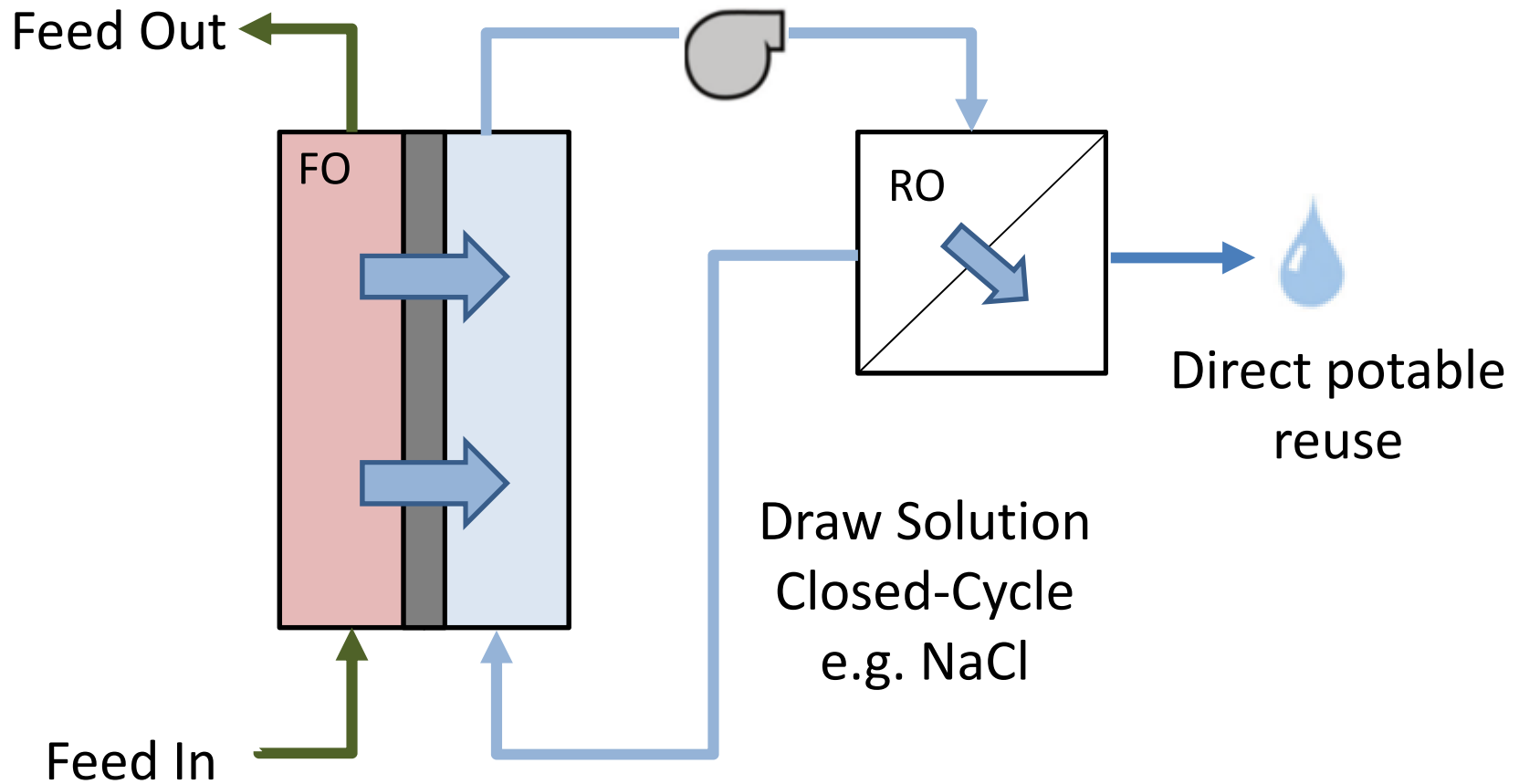


- High rejections
- High water recovery
- Low fouling propensity

# FO-RO Hybrid

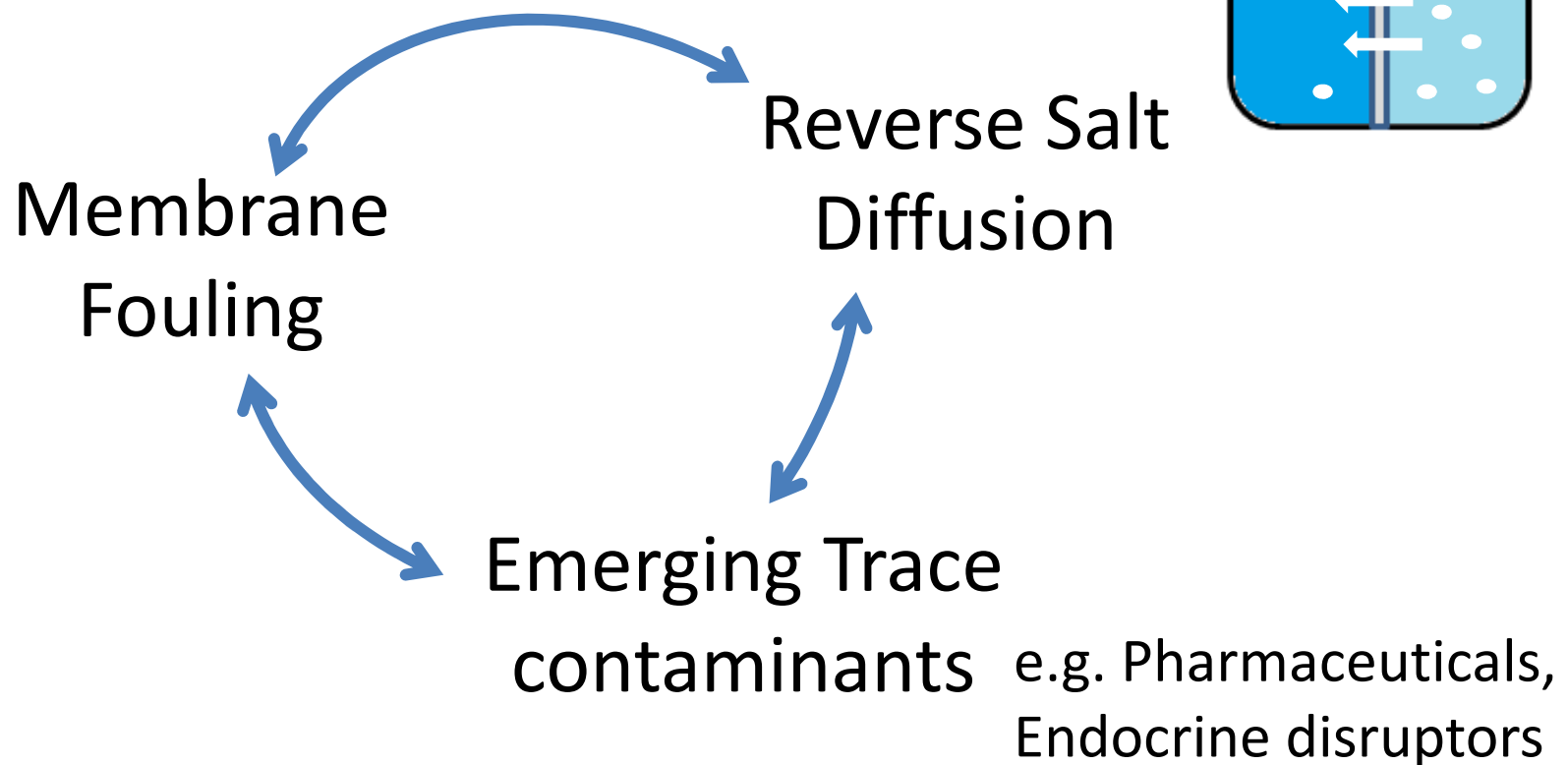
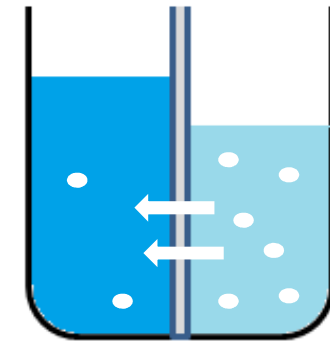
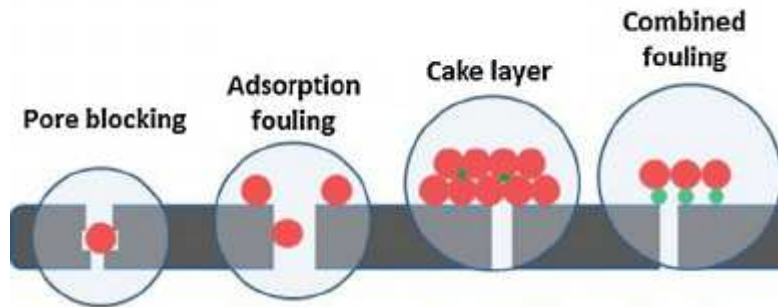


# FO-RO Hybrid



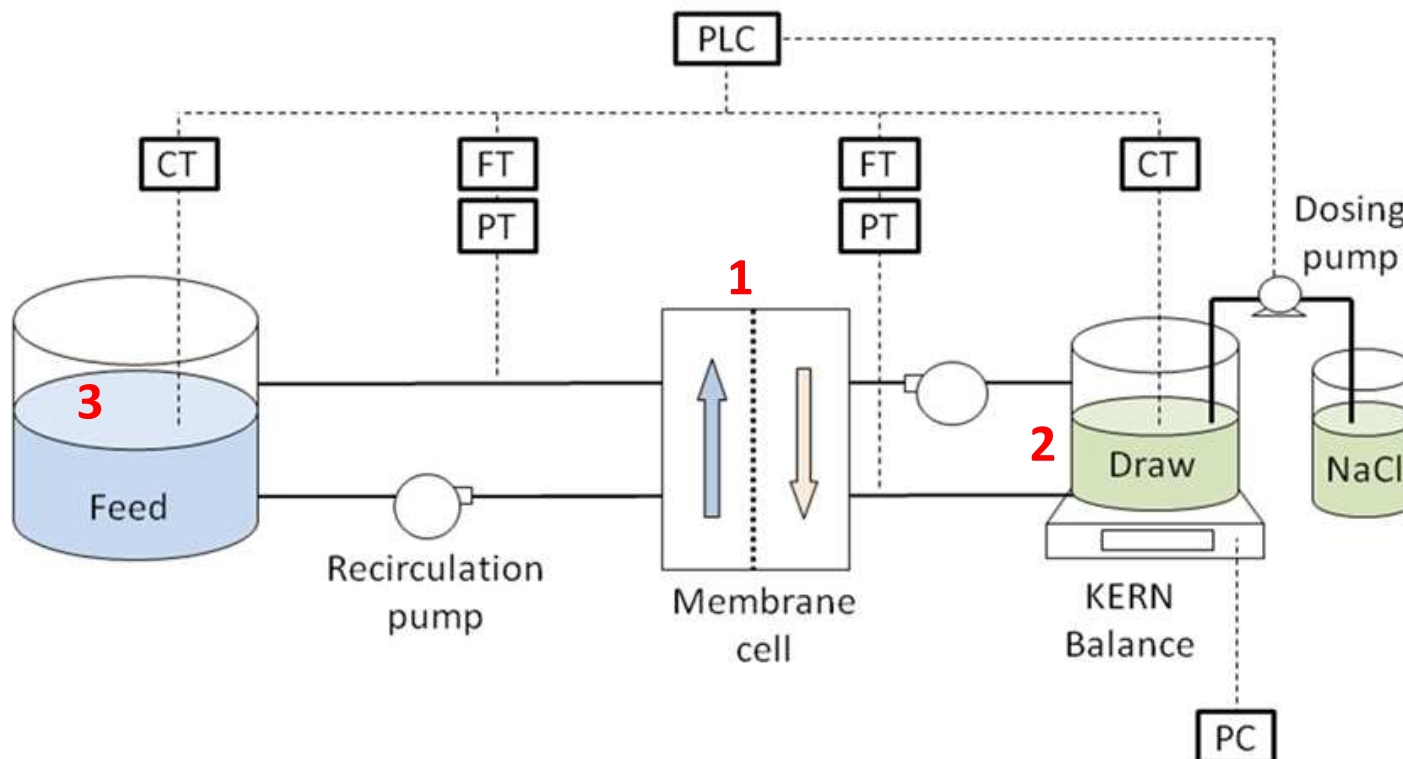
Primary, Secondary effluent  
and raw sewage

# FO Challenges



# FO performance study

1. Test new commercially available membranes
2. Vary Draw Solution
3. Vary Wastewater feed composition



# Thank you!

